

A

B

C

D

E

F

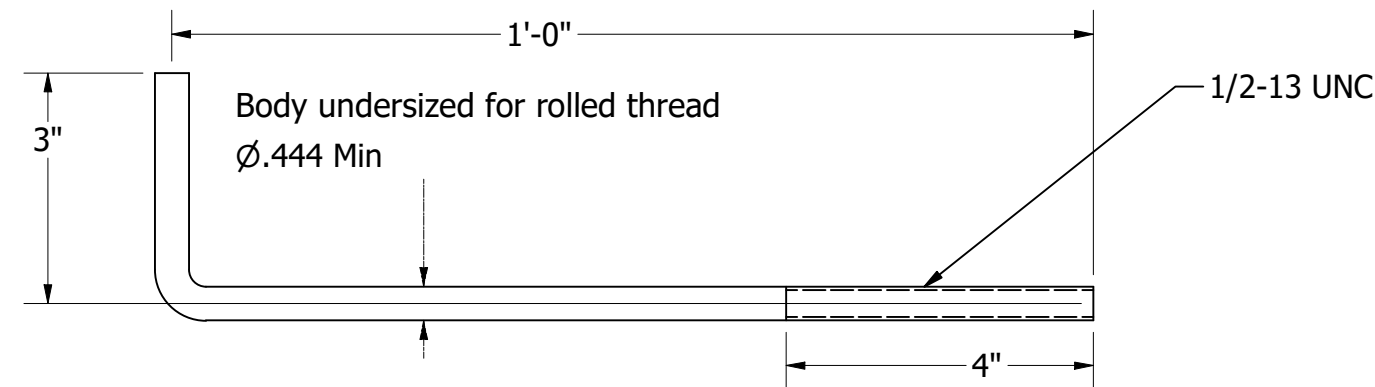
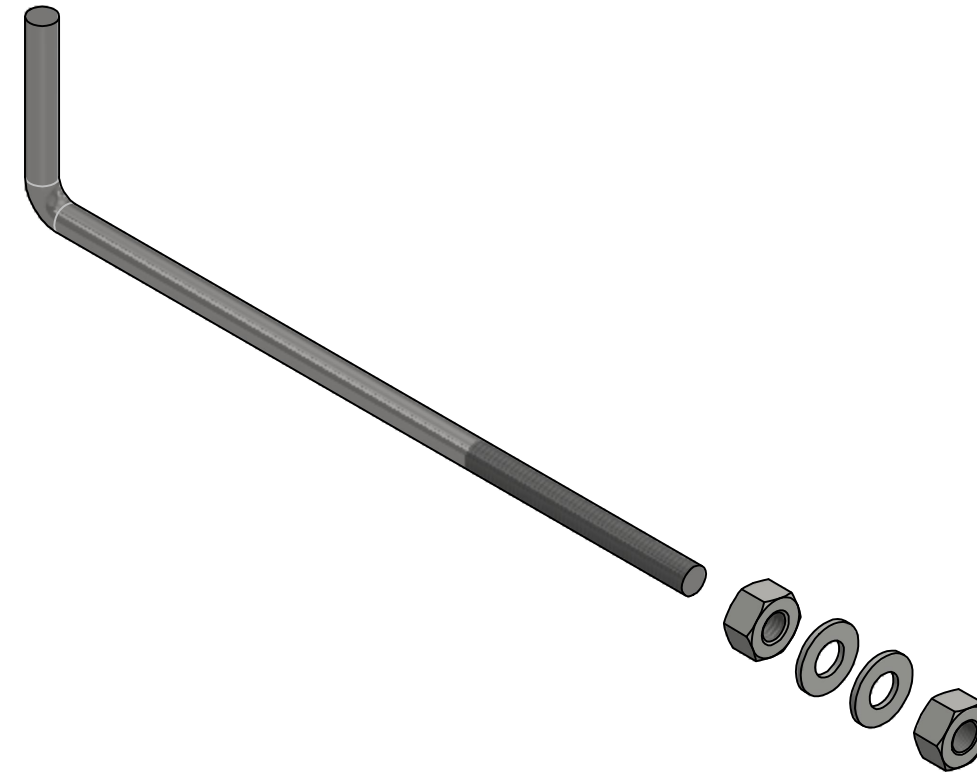
1

2

3

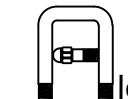

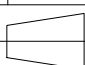
4

5



Available in the Following Grades:

- F-1554 Grade A36
- F-1554 Grade A36 Hot Dip Galvanized
- SAE 304 Stainless

UNLESS OTHERWISE SPECIFIED				DRAWN: 12/15/2021		 Alexander Screw Products, Inc.		8750 Pendleton Pike Indianapolis, IN 46226	
DIMENSIONS ARE IN INCHES				MATERIAL		TITLE:		REV.	
.X	.XX	.XXX	ANGLE	F1554 Grade A36		AB050012G			
±	±	±	± 0.5°	FINISH		SCALE		SHEET	
	125 ✓			Hot Dip Galvanized		C		Anchor Bolt Print	
DIMENSIONING & TOLERANCING PER ASME Y14.5-2009 ALL DIMENSIONS IN INCHES [MM] BEFORE / AFTER SURFACE TREATMENT REMOVE ALL BURS AND SHARP EDGES THREADS: EXT CLASS 2A, INT 2B PROTECTIVE WRAP OR EQUIV. IDENTIFY PART ON WRAP OR EQUIV.				CUSTOMER:		WT		1 OF 1	
						N/A			

P/N Anchor Bolt Print

1 OF 1