

A

B

C

D

E

F

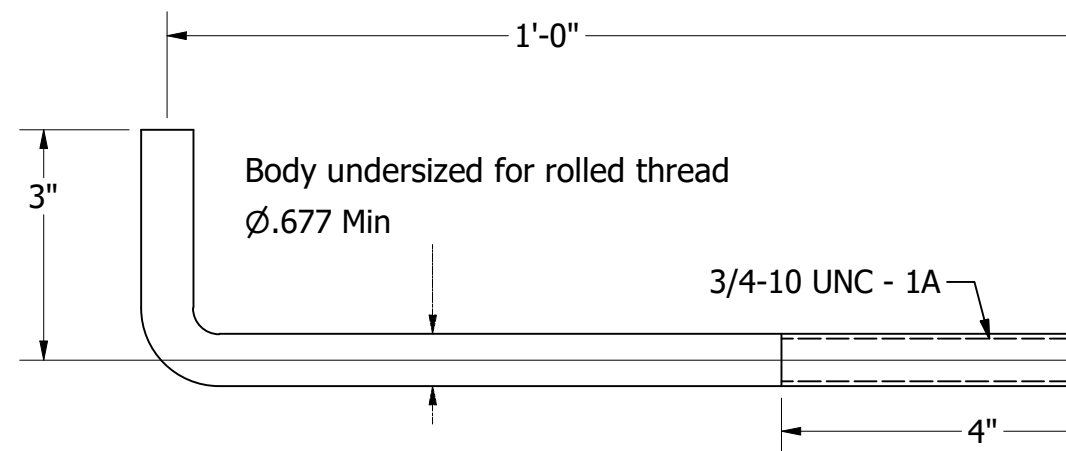
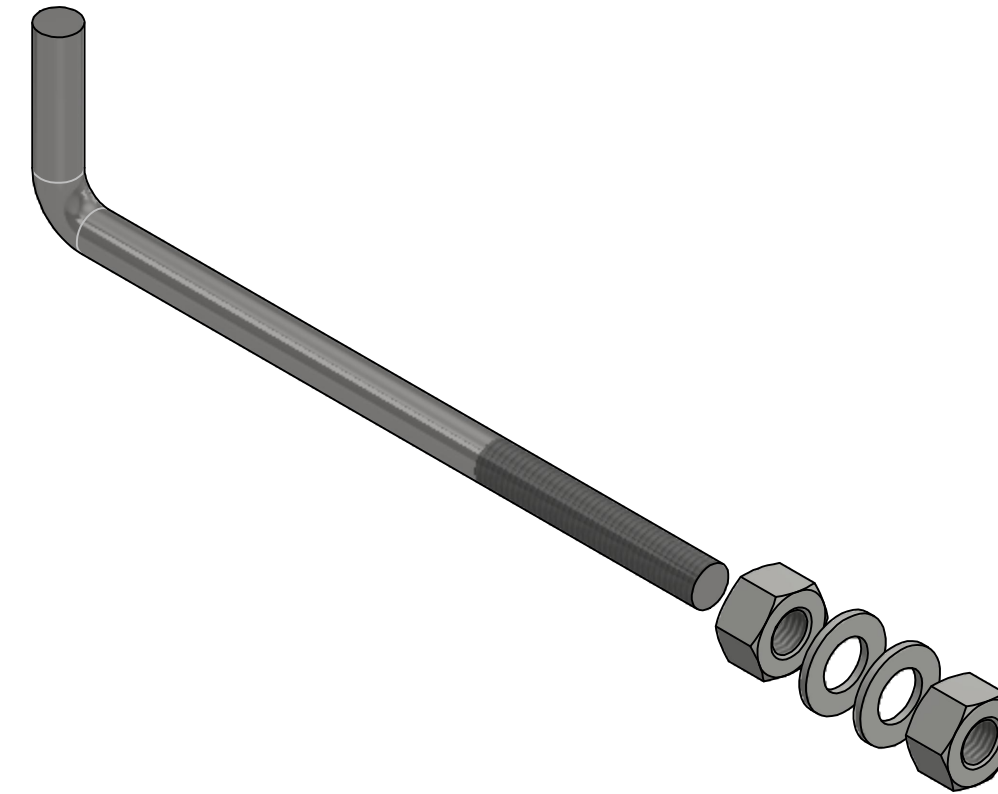
1

2

3

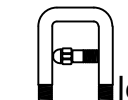
4

5



Available in the Following Grades:

- F-1554 Grade 55
- F-1554 Grade 55 Hot Dip Galvanized
- F-1554 Grade 105
- SAE 304 Stainless

UNLESS OTHERWISE SPECIFIED				DRAWN: 12/15/2021		 Alexander Screw Products, Inc.		8750 Pendleton Pike Indianapolis, IN 46226	
DIMENSIONS ARE IN INCHES				MATERIAL: F-1554 Grade 105		CHECK: 12/15/2021		TITLE: AB075012H	
.X	.XX	.XXX	ANGLE	ENGR:		MFG:		REVISION BY:	
±	±	±	± 0.5°	CUSTOMER:		SCALE: C		DRAWING NO. Anchor Bolt Print	
FINISH: 125 ✓				FINISH: Plain		WT: N/A		SHEET: 1 OF 1	
DIMENSIONING & TOLERANCING PER ASME Y14.5-2009 ALL DIMENSIONS IN INCHES [MM] BEFORE / AFTER SURFACE TREATMENT REMOVE ALL BURS AND SHARP EDGES THREADS: EXT CLASS 2A, INT 2B PROTECTIVE WRAP OR EQUIV. IDENTIFY PART ON WRAP OR EQUIV.									

Anchor Bolt Print

P/N