

A

B

C

D

E

F

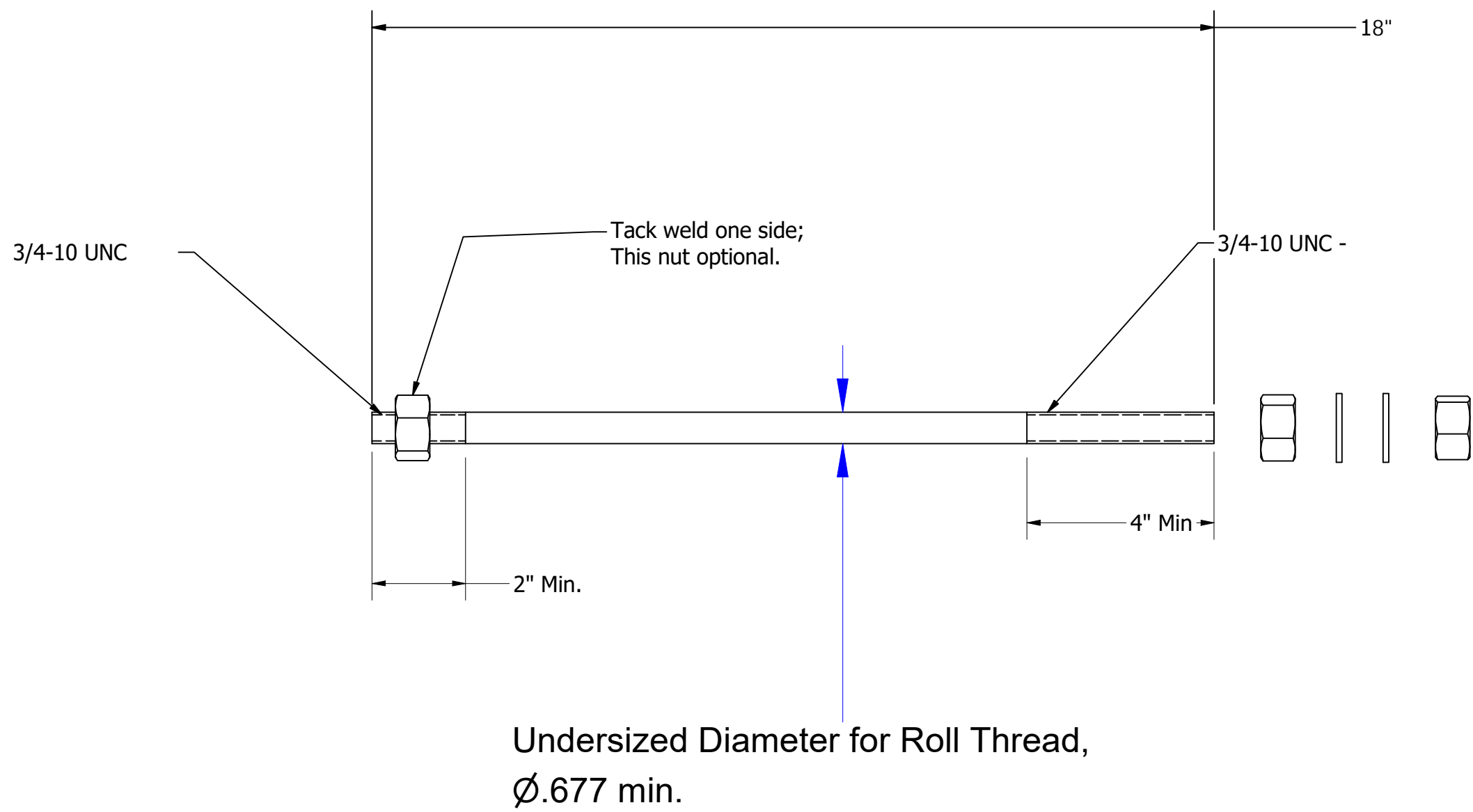
1

2

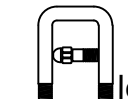

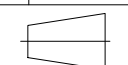
3

4

5



- Available in the Following Grades:
- F1554 Gr. 55
 - F1554 Gr. 55 Hot Dip Galv.
 - F1554 Gr. 105
 - 304 Stainless

UNLESS OTHERWISE SPECIFIED				DRAWN: Alan Harris		12/21/2021		 Alexander Screw Products, Inc.		8750 Pendleton Pike Indianapolis, IN 46226	
DIMENSIONS ARE IN INCHES				MATERIAL		CHECK:		TITLE:		REV.	
.X	.XX	.XXX	ANGLE	F-1554 Grade 55				AS075018P			
±	±	±	± 0.5°	FINISH		ENGR:		12/21/2021			
	125 ✓			Plain		MFG:				SCALE	
DIMENSIONING & TOLERANCING PER ASME Y14.5-2009 ALL DIMENSIONS IN INCHES [MM] BEFORE / AFTER SURFACE TREATMENT REMOVE ALL BURRS AND SHARP EDGES THREADS: EXT CLASS 2A, INT 2B PROTECTIVE WRAP OR EQUIV. IDENTIFY PART ON WRAP OR EQUIV.				FINISH		REVISION BY:		CUSTOMER:		SHEET 1 OF 1	
				Plain						WT N/A	
								Anchor Bolt Print		SHEET 1 OF 1	

Anchor Bolt Print

P/N