

A

B

C

D

E

F

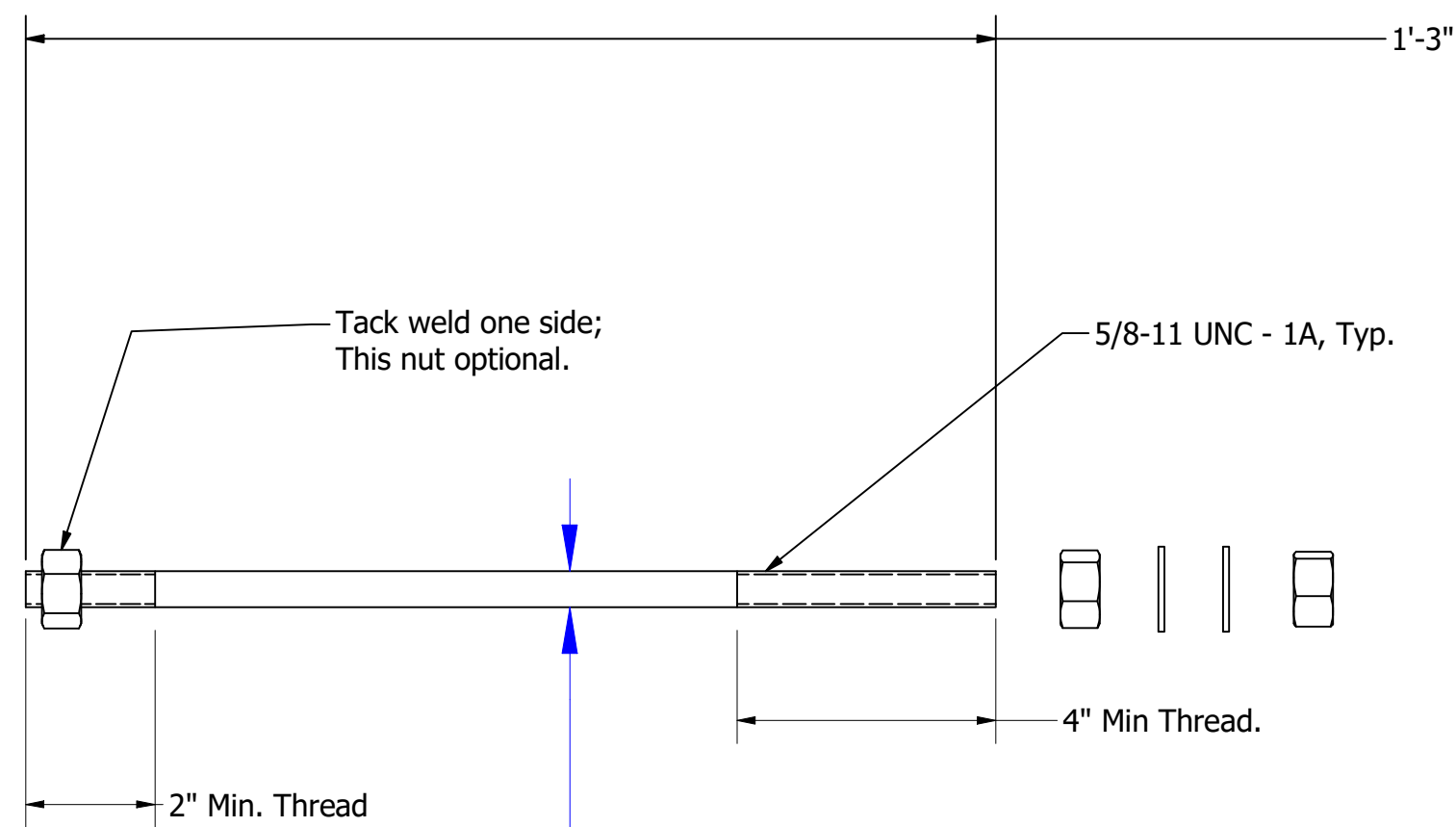
1

2

3

4

5



Undersized Diameter for Roll Thread,
 Ø.559 min.

Available in the Following Grades:

- F1554 Gr. A36
- F1554 Gr. A36 Hot Dip Galv.
- 304 Stainless

UNLESS OTHERWISE SPECIFIED				DRAWN: Alan Harris		12/21/2021	
DIMENSIONS ARE IN INCHES				MATERIAL		8750 Pendleton Pike Indianapolis, IN 46226	
.X	.XX	.XXX	ANGLE	SAE 304		TITLE: AS062515S	
±	±	±	± 0.5°	CHECK:		12/21/2021	
FINISH				ENGR:		MFG:	
125 ✓				REVISION BY:		CUSTOMER:	
DIMENSIONING & TOLERANCING PER ASME Y14.5-2009 ALL DIMENSIONS IN INCHES [MM] BEFORE / AFTER SURFACE TREATMENT REMOVE ALL BURS AND SHARP EDGES THREADS: EXT CLASS 2A, INT 2B PROTECTIVE WRAP OR EQUIV. IDENTIFY PART ON WRAP OR EQUIV.				FINISH		SCALE	
				Stainless		DRAWING NO.	
						Anchor Bolt Print	
						SHEET 1 OF 1	
						WT N/A	

Anchor Bolt Print

P/N