

A

B

C

D

E

F

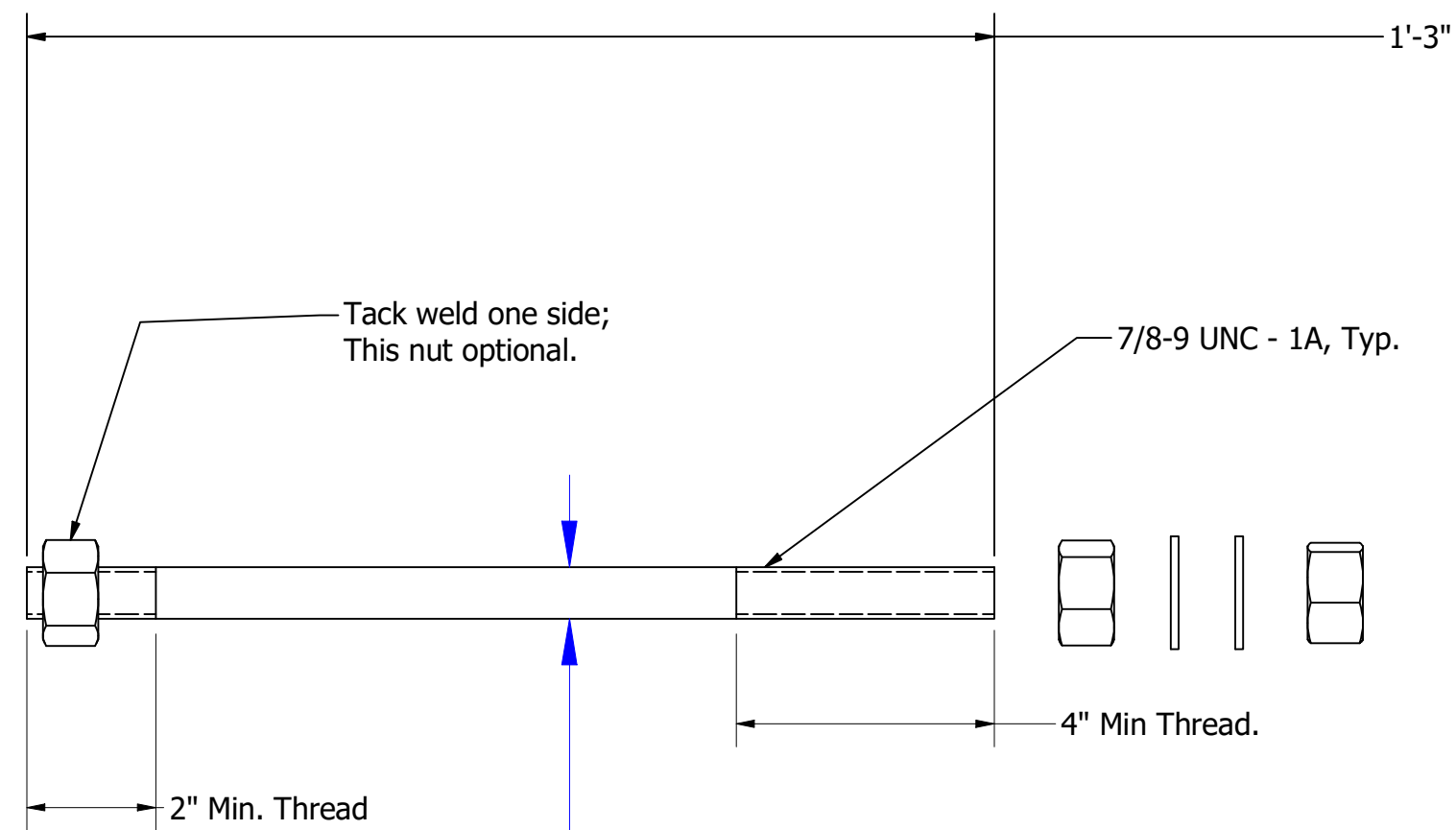
1

2

3

4

5



Undersized Diameter for Roll Thread,
 $\text{Ø}.795 \text{ min.}$

Available in the Following Grades:

- F1554 Gr. A36
- F1554 Gr. A36 Hot Dip Galv.
- 304 Stainless

UNLESS OTHERWISE SPECIFIED				DRAWN: Alan Harris		12/21/2021	
DIMENSIONS ARE IN INCHES				MATERIAL		F-1554 Grade 55	
.X	.XX	.XXX	ANGLE	CHECK:		12/21/2021	
±	±	±	± 0.5°	ENGR:		12/21/2021	
FINISH				MFG:			
125 ✓				REVISION BY:			
DIMENSIONING & TOLERANCING PER ASME Y14.5-2009 ALL DIMENSIONS IN INCHES [MM] BEFORE / AFTER SURFACE TREATMENT REMOVE ALL BURS AND SHARP EDGES THREADS: EXT CLASS 2A, INT 2B PROTECTIVE WRAP OR EQUIV. IDENTIFY PART ON WRAP OR EQUIV.				FINISH		Plain	
CUSTOMER:				DRAWING NO.		Anchor Bolt Print	
SCALE				WT		N/A	
SHEET				1		OF 1	

Alexander Screw Products, Inc. | 8750 Pendleton Pike
 Indianapolis, IN 46226

TITLE: AS087515P

Anchor Bolt Print

Anchor Bolt Print

P/N