

A

B

C

D

E

F

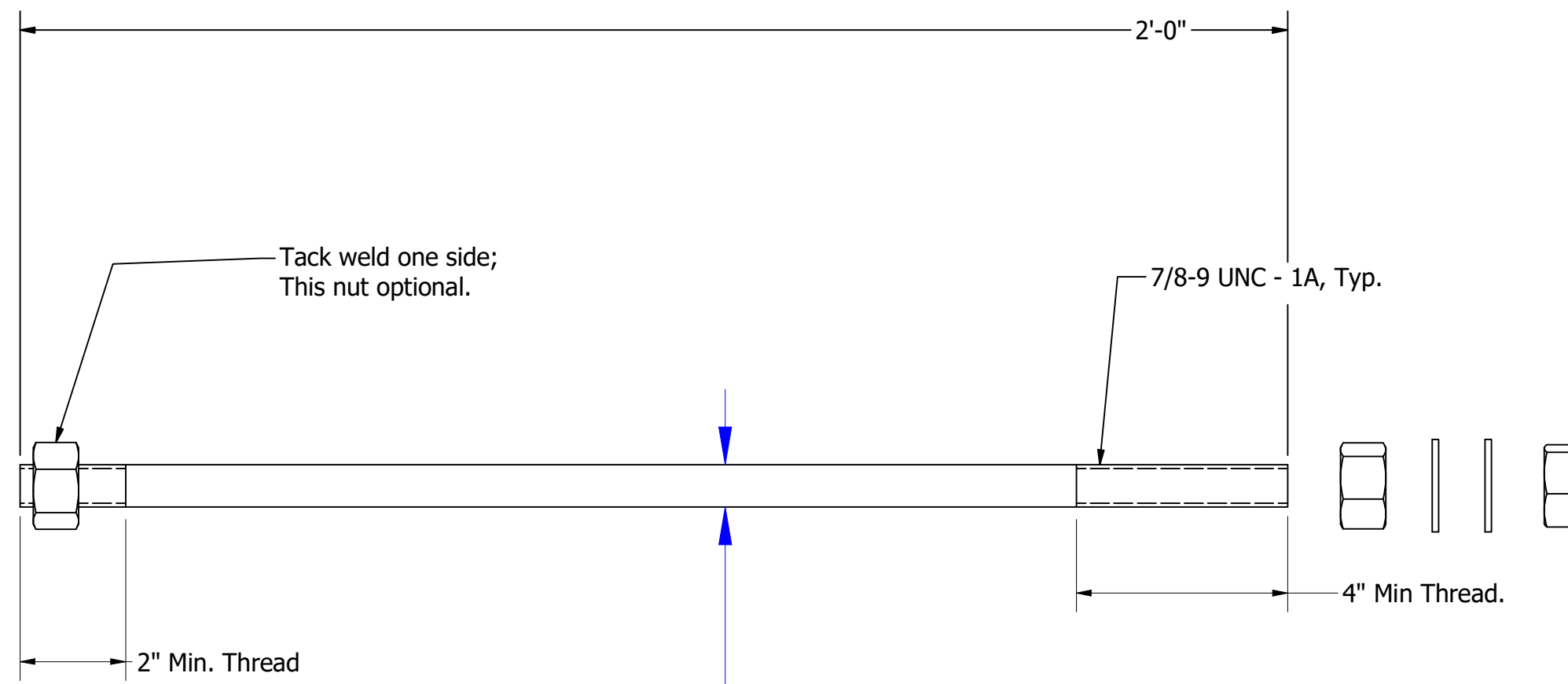
1

2

3

4

5



Undersized Diameter for Roll Thread,  
 Ø.795 min.

UNLESS OTHERWISE SPECIFIED				DRAWN: Alan Harris		12/21/2021	
DIMENSIONS ARE IN INCHES				MATERIAL		8750 Pendleton Pike Indianapolis, IN 46226	
.X	.XX	.XXX	ANGLE	F-15554 Grade 105		TITLE:	
±	±	±	± 0.5°	CHECK:		AS087524H	
FINISH				ENGR:		12/21/2021	
125 ✓				MFG:			
DIMENSIONING & TOLERANCING PER ASME Y14.5-2009 ALL DIMENSIONS IN INCHES [MM] BEFORE / AFTER SURFACE TREATMENT REMOVE ALL BURS AND SHARP EDGES THREADS: EXT CLASS 2A, INT 2B PROTECTIVE WRAP OR EQUIV. IDENTIFY PART ON WRAP OR EQUIV.				FINISH		REVISION BY:	
				Plain		CUSTOMER:	
SCALE		WT		SHEET		REV.	
C		N/A		Anchor Bolt Print		1 OF 1	

Anchor Bolt Print

P/N