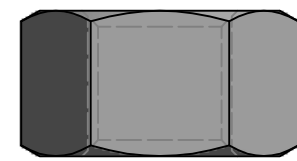


[5/8"] ANCHOR BOLT



X

1

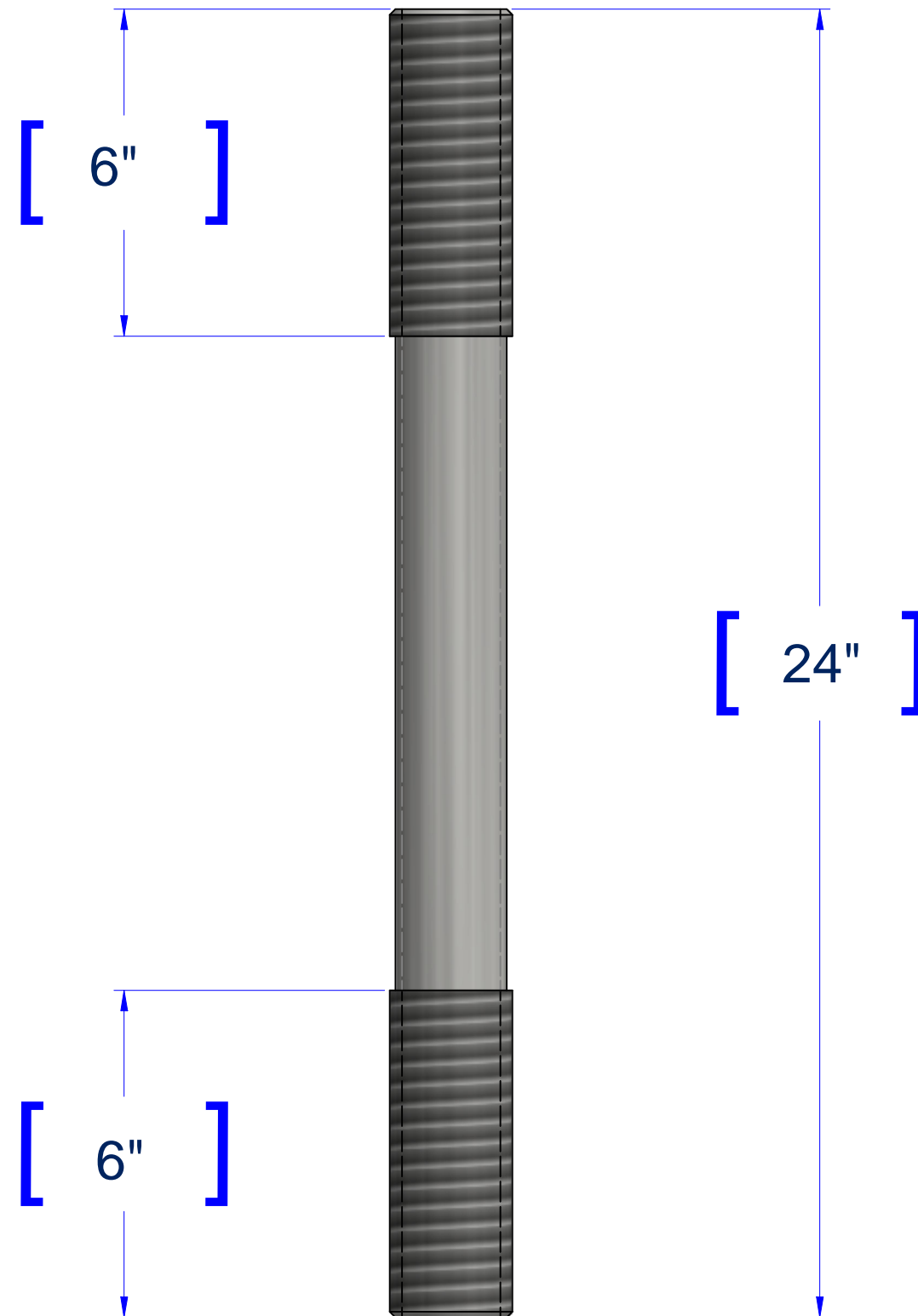
Gr A Gr C DH 2H



X

1

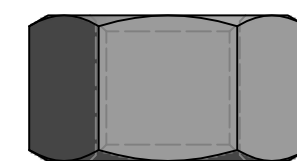
USS FW F436 PLATE



X

1

USS FW F436 PLATE



X

1

Gr A Gr C DH 2H

UNLESS OTHERWISE SPECIFIED
DIMENSIONS ARE IN INCHES



8750 Pendleton Pike
Indianapolis, IN 46226

All bolts are roll threaded from undersized material per the F1554 Standard.
Galvanized bolts shall meet F2329-11.
All Threads meet a minimum of 1A and are made from unground F1554 Hot Roll Material.

GRADE: F1554 A36
 F1554 55-S1
 F1554 105
 304 STAINLESS

PART #:

FINISH: PLAIN STEEL
 HOT DIP GALVANIZE
ROLL THREAD Ø:
THREAD SIZE:
CHOP LENGTH:

1

2

3

4

5